

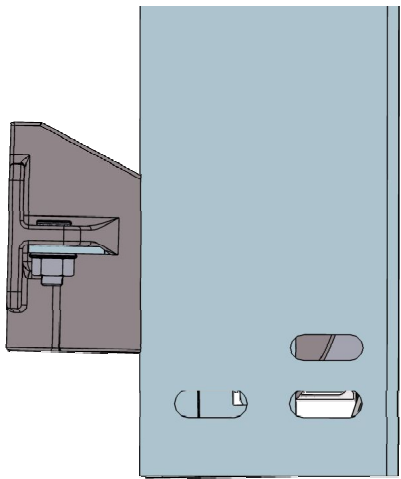


Anti burglar installation manual

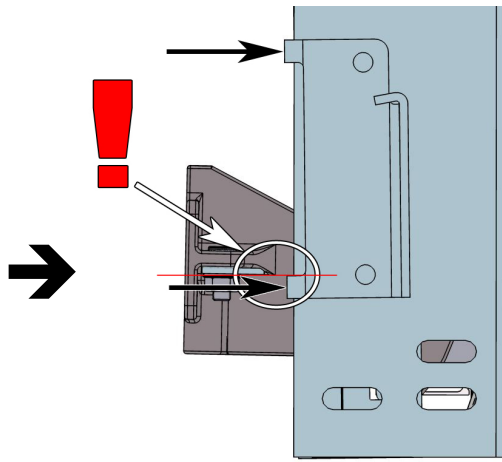


INTERNATIONAL

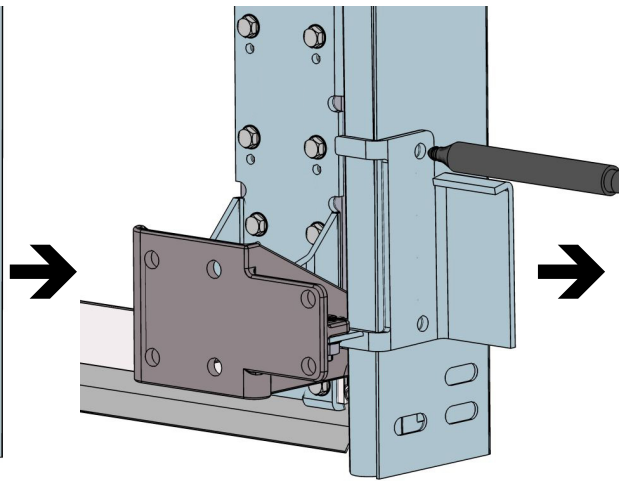
part of your door



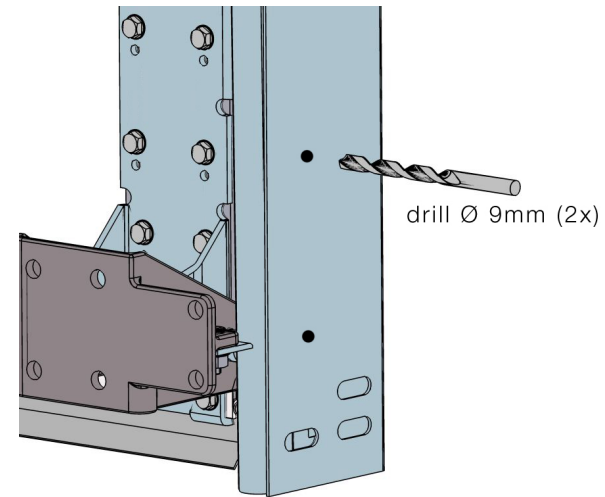
Mount art. 25450/25454 according to the installation manual.



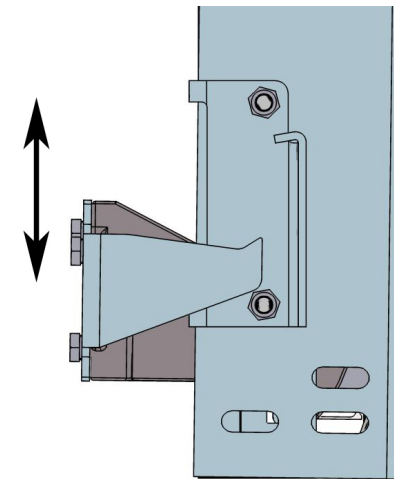
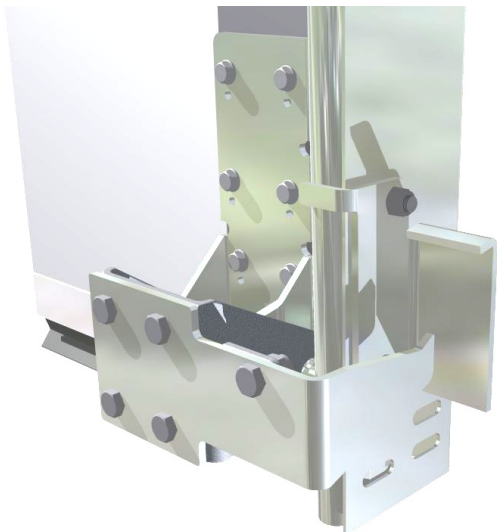
Mount First part of anti burglar set. According to picture.



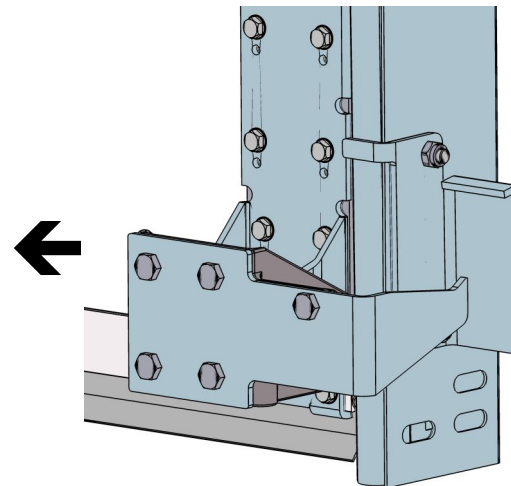
Mark drilling points with marker.



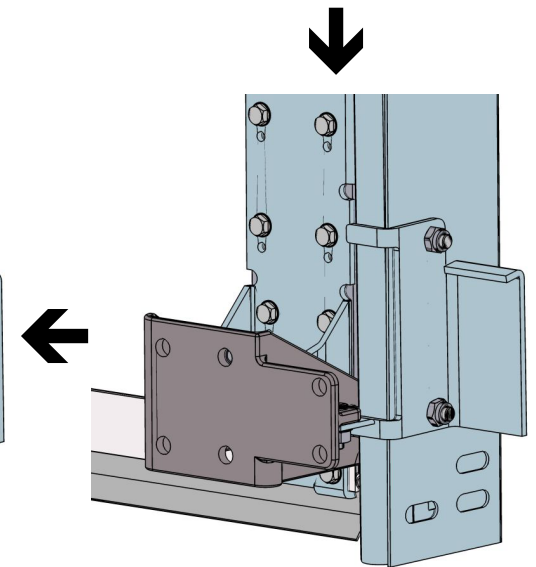
Drill (2x) on marked points.



Check if the door opens and closes without hitting the bracket.



Mount the other part according to picture using supplied bolts and nuts.



Use supplied track bolts (2x) and nuts (2x) to mount the bracket.